

# Board to Board

pitch 0.80mm pitch (0.03") | Female | S.M.T. | Locating peg

CBBC241  
CBBC242  
CBBC243 Series

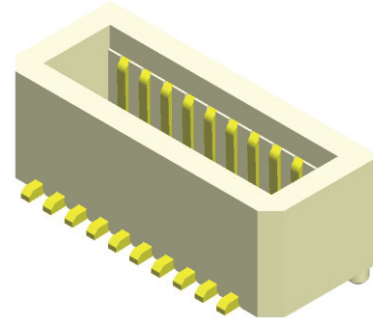
## Specifications

Current Rating : 0.5 Ampere  
 Insulation Resistance : 500 MΩ Min  
 Dielectric Withstanding : 200V AC  
 Contact Resistance : 20 mΩ Max  
 Operating Temperature : -40°C to +105°C

## Materials

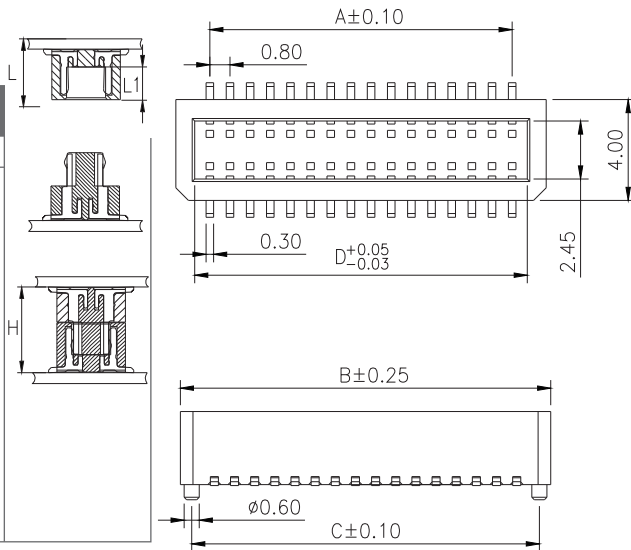
Contact Material : Phosphor Bronze  
 Insulation Material : High Temperature Thermoplastic, 94V-0 Nylon

All materials must meet Greenconn's requirements for environmental protection.

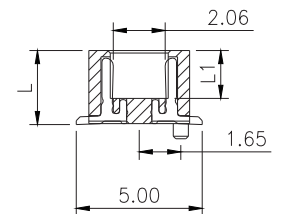
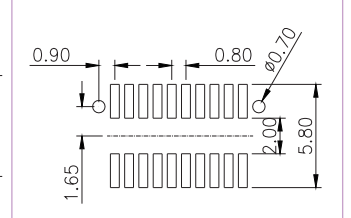


## Mating with

| Females Series | Males Series | H    | Page |
|----------------|--------------|------|------|
| CBBC241        | GBBC241      | 4.40 | A01  |
|                | GBBC242      | 4.90 |      |
|                | GBBC246      | 3.90 |      |
| CBBC242        | GBBC241      | 4.90 |      |
|                | GBBC242      | 5.40 |      |
|                | GBBC243      | 4.40 |      |
|                | GBBC244      | 4.90 |      |
|                | GBBC245      | 6.40 |      |
|                | GBBC246      | 3.40 |      |
| CBBC243        | GBBC241      | 5.40 |      |
|                | GBBC242      | 5.90 |      |
|                | GBBC243      | 4.90 |      |
|                | GBBC244      | 5.40 |      |
|                | GBBC245      | 6.90 |      |
| GBBC246        | 4.90         |      |      |



Recommended P.C.Board Layout



\* For Coded Dimension Not Inside The Table, Please Refer To "Ordering Information"

| No. of Pins/Row | Dimension Information |      |      |      | No. of Pins/Row | Dimension Information |       |       |       | No. of Pins/Row | Dimension Information |       |       |       |
|-----------------|-----------------------|------|------|------|-----------------|-----------------------|-------|-------|-------|-----------------|-----------------------|-------|-------|-------|
|                 | A                     | B    | C    | D    |                 | A                     | B     | C     | D     |                 | A                     | B     | C     | D     |
| 04              | 2.40                  | 5.10 | 4.20 | 3.60 | 11              | 8.00                  | 10.70 | 9.80  | 9.20  | 21              | 16.00                 | 18.70 | 17.80 | 17.20 |
| 05              | 3.20                  | 5.90 | 5.00 | 4.40 | 12              | 8.80                  | 11.50 | 10.60 | 10.00 | 22              | 16.80                 | 19.50 | 18.60 | 18.00 |
| 06              | 4.00                  | 6.70 | 5.80 | 5.20 | 13              | 9.60                  | 12.30 | 11.40 | 10.80 | 23              | 17.60                 | 20.30 | 19.40 | 18.80 |
| 07              | 4.80                  | 7.50 | 6.60 | 6.00 | 14              | 10.40                 | 13.10 | 12.20 | 11.60 | 24              | 18.40                 | 21.10 | 20.20 | 19.60 |
| 08              | 5.60                  | 8.30 | 7.40 | 6.80 | 15              | 11.20                 | 13.90 | 13.00 | 12.40 | 25              | 19.20                 | 21.90 | 21.00 | 20.40 |
| 09              | 6.40                  | 9.10 | 8.20 | 7.60 | 16              | 12.00                 | 14.70 | 13.80 | 13.20 |                 |                       |       |       |       |
| 10              | 7.20                  | 9.90 | 9.00 | 8.40 | 17              | 12.80                 | 15.50 | 14.60 | 14.00 |                 |                       |       |       |       |
|                 |                       |      |      |      | 18              | 13.60                 | 16.30 | 15.40 | 14.80 |                 |                       |       |       |       |
|                 |                       |      |      |      | 19              | 14.40                 | 17.10 | 16.20 | 15.60 |                 |                       |       |       |       |
|                 |                       |      |      |      | 20              | 15.20                 | 17.90 | 17.00 | 16.40 |                 |                       |       |       |       |

## Ordering Information

Standard Packaging : Tube

CBBC2  -   B001D4AC  
 Height Option (L / L1) No. of Pins per Row Standard Plating  
 : L=2.90 / L1=1.90   : Gold Flash  
 : L=3.40 / L1=2.40   : Tin  
 : L=3.90 / L1=2.90